

Q&A Webinar

Your Questions Answered!



ALTEC INDUSTRIES PRESENTS: The Wrap My Truck Contest



Welcome to the Q&A Webinar

Discussion Points:

- Introduction to the contest
- Key details and updates
- Live Q&A session
- Closing remarks



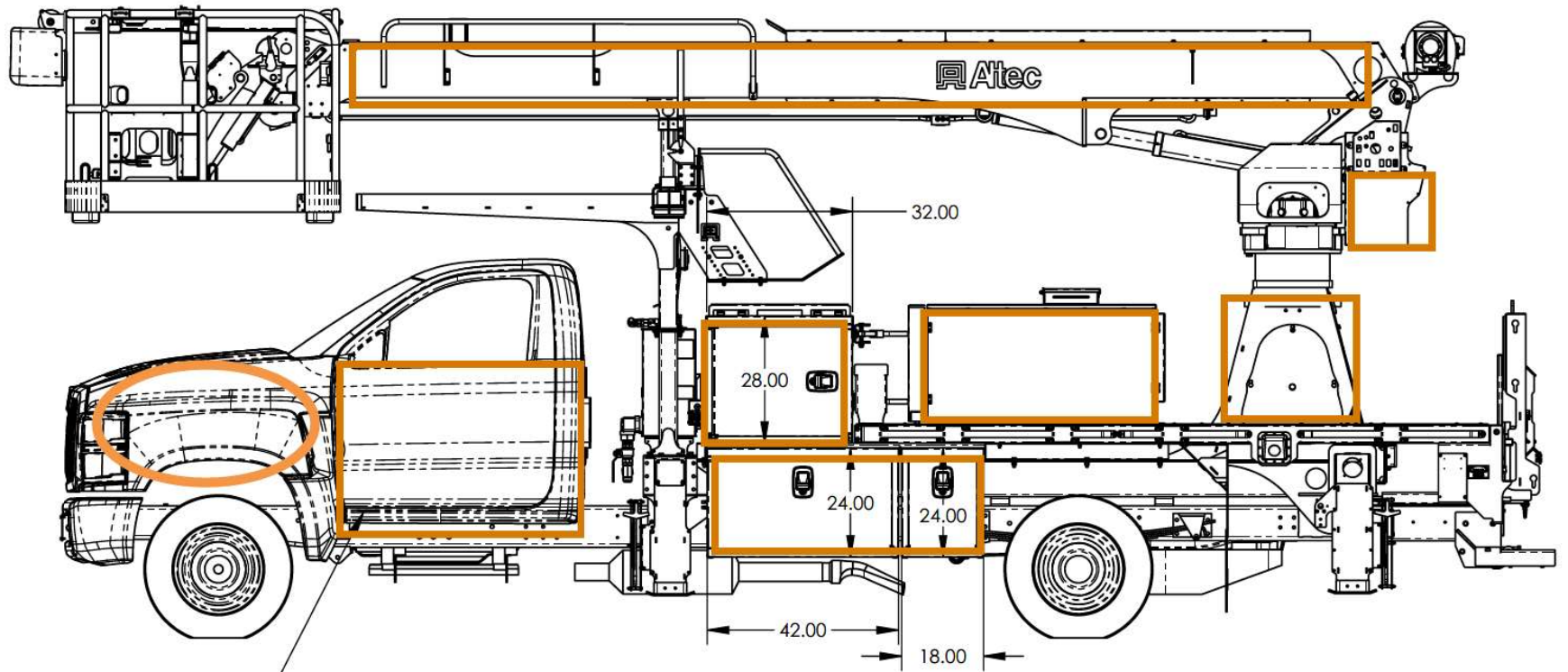
Contest Details

Design a creative, tasteful, eye-catching, and colorful wrap for an Altec LS49 JEMS (Job Site Energy Management System) unit present in the Altec booth at ISA Sign Expo 2025.

Altec has chosen three (3) suggested subject areas to influence your design:

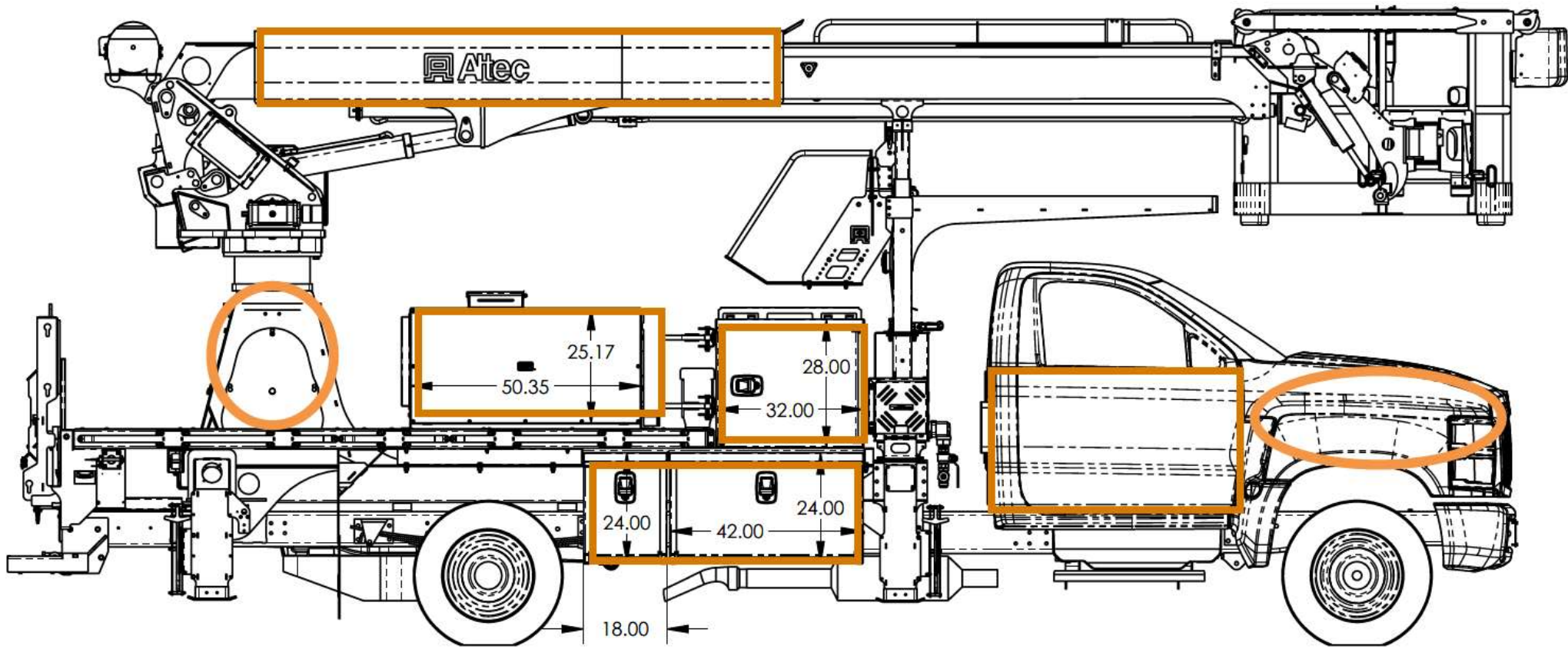
- **Celebrating the sign industry**, the installers, and what signs have done for the country over the years.
- **April is Autism Awareness Month.** This theme should draw attention to Autism and be encouraging to those dealing with the conditions caused by Autism.
- The LS49 operation is accomplished through electrification. The unit is equipped with a “JEMS” system (Job Energy Maintenance System). This theme should celebrate **sustainability and a decreased carbon footprint.**





2024 INTERNATIONAL CV515





Contest Entry Requirements

- Must be registered for ISA Sign Expo 2025
- No previous design experience required

Full guidelines can be found here: <https://signexpo.org/altec-industries-presents-the-wrap-my-truck-contest>



Contest Prizes

**First Place - \$1,000.00 check and two (2) night stay at the Mandalay Bay Hotel in Las Vegas.
Design to be featured on demo truck for one (1) year.**

Second Place - \$500.00 Gift Card

Third Place - \$250.00 Gift Card



Contest Key Dates & Deadlines

Deadline for Submissions: **February 28, 2025**

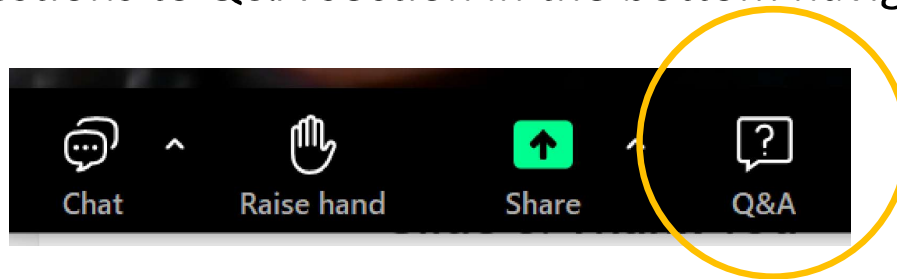
Top (3) Submissions Announced: **April 23, 2025 in Altec booth**

Winning Submission Unveiled & Installed on the LS49: **April 24, 2025**



Live Q&A Session

- Add questions to Q&A section in the bottom navigation



- We will answer your questions live!

What's Next?

- Key actions to take after the webinar
- Where to find additional resources
- Contact information for further questions





Thank you for attending the Q&A Webinar

We can't wait to see your submissions!



ALTEC INDUSTRIES PRESENTS: The Wrap My Truck Contest

ISA INTERNATIONAL
SIGN
EXPO
2025